

MT6070iP series

Installation Instruction

1 Installation and Startup Guide

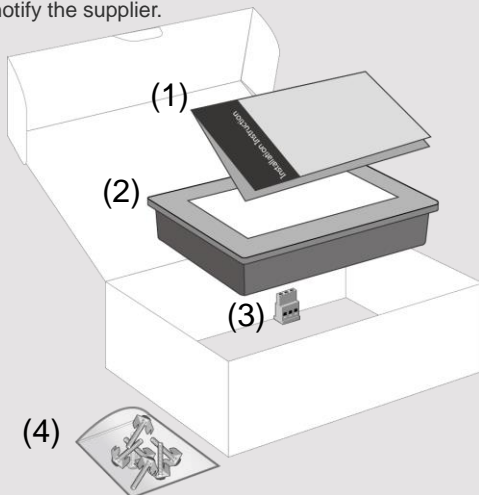
This document covers the installation of MT6070iP Series HMI, for the detailed specifications and operation, please refer to Datasheet and EasyBuilder 8000 User Manual.

Install Environment:

NEMA Rating	MT6070iP Series HMI is NEMA 4 rated.
Electrical Environment	The MT6070iP Series has been tested to conform to European CE requirements. This means that the circuitry is designed to resist the effects of electrical noise. This does not guarantee noise immunity in severe cases. Proper wire routing and grounding will insure proper operation.
Environmental Considerations	<ol style="list-style-type: none"> (1) Make sure that the displays are installed correctly and that the operating limits are followed. Avoid installing units in environments where severe mechanical vibration or shocks are present. (2) Do not operate the unit in areas subject to explosion hazards due to flammable gases, vapors or dusts. (3) Do not install the unit where acid gas, such as SO₂ exists. (4) This device should be mounted in the vertical position and for use on the flat surface enclosure. (5) Conform to UL508 (ISBN 0-7629-0404-6) machine safety for use in Pollution Degree 2 Environment.

2 Unpacking the Unit

Unpack and check the delivery. If damage is found, notify the supplier.



(1) Installation Instruction, 2-sided A4 *1

(2) Human Machine Interface *1

(3) Power Connector *1

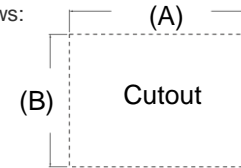
(4) Brackets & Screws V2.1 *1 pack

NOTE:

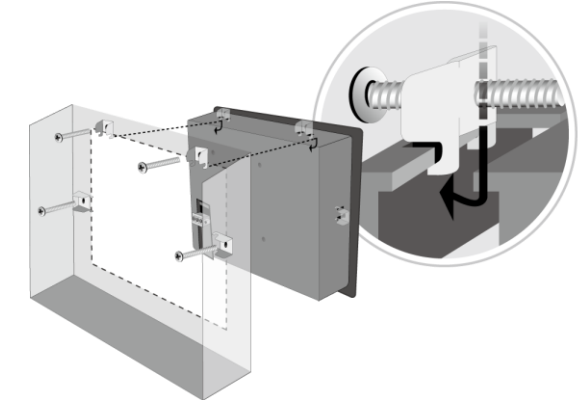
Place the operator panel on a stable surface during installation. Dropping it or letting it fall may cause damage.

3 Installation Instructions

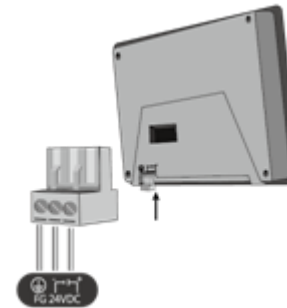
Secure the operator panel in position, using all the fastening holes and the provided brackets and screws:



Type	A(mm)	B(mm)
MT6070iP	192	138



4 Power Connections



NOTE:

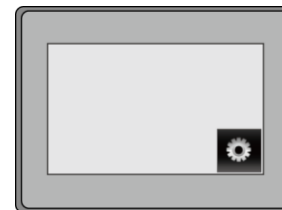
1. Connect positive DC line to the '+' terminal and the DC ground to the '-' terminal.

2. Please do not connect HMI with PLC and PC simultaneously to prevent potential difference from destroying USB ports of HMI and PC.

To make a connection, strip about 3/8" of insulation off the end of the wire, turn the connector screw counterclockwise until the gap is wide open, insert the wire all the way in, and turn the screw clockwise until it's tight.

5 System Settings

When HMI powered up and displays image, click the system setting button. (Default System Password: 111111)



Go to the Security tab, the default password is 111111, click the button to set your own password.



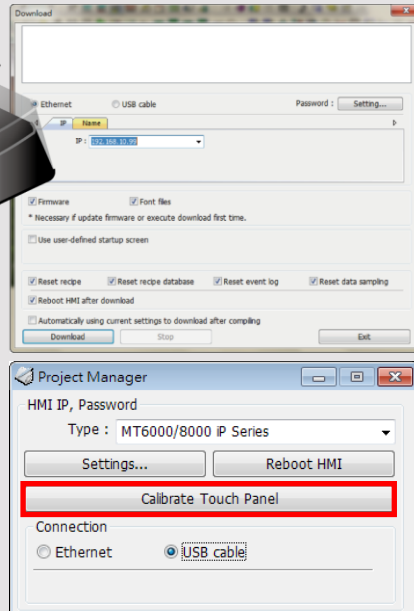
6 EasyBuilder 8000 Software Settings

Please use EasyBuilder8000 V4.65.06 or later versions.

Launch EasyBuilder 8000 software, select your project file, press F7 shortcut key to open the download dialog box:

Select USB cable > Click Download to download this project file to HMI.

(Please refer to EasyBuilder 8000 User Manual for software operation details)



7 Calibration Mode

Launch Project Manager, select MT6000/8000 iP Series in Type field, select USB cable, and then click Calibrate Touch Panel button to start calibration.

8 Communication Connections

9 Pin, Male, Sub-D
COM1 [RS232]
COM2 [RS485]

1 2 3 4 5
6 7 8 9

PIN#	Symbol	COM1 [RS232]	COM2 [RS485]4W	COM2 [RS485]2W
1	Rx-		Rx-	Data-
2	Rx+		Rx+	Data+
3	Tx-		Tx-	
4	Tx+		Tx+	
5	GND		GND	
6	TxD	TxD		
7	RTS	RTS		
8	CTS	CTS		
9	RxD	RxD		

NOTE:

Com2 [RS485 2W] supports MPI 187.5K.

Cable Requirement

Different cables are required for various devices.

Caution

Restrict cable length to less than 500' (150m) for RS485/422 devices and 50' (15m) for RS232 devices to avoid communications problems.
Shielded cable must be used for long lengths or cables run in an electrically noisy environment.
Do not run cables next to AC power lines or near sources of electrical noise.
Be sure that the cable ends have been inserted all of the way into mating connectors and are secure.

CAUTION

NOTE: Make sure that all local and national electrical standards are met when installing the unit. Contact your local authorities to determine which codes apply.



Power

The HMI can be powered by DC power only, voltage range: 24±20% Volts DC, compatible with most controller DC systems. The power conditioning circuitry inside the unit is accomplished by a switching power supply. The peak starting current can be as high as 2A.



Fusing Requirements

If the display does not come on within 5 seconds of power up, remove power. An internal fuse will prevent damage if the polarity of the DC power is incorrect. Check wiring for proper connections and try to power up again.



High Voltage

An internal fuse will prevent damage for overcurrent condition however it isn't guaranteed. DC voltage sources should provide proper isolation from main AC power and similar hazards.



Emergency Stop

A Hard-wired EMERGENCY STOP should be fitted in any system using HMI to comply with ICS Safety Recommendations.



Supply Voltage Condition

Do not power the HMI and inductive DC loads, or input circuitry to the controller, with the same power supply. Note: The 24 VDC output from some controllers may not have enough current to power the HMI.



Wire Routing

- Power wire length should be minimized (Max: 500m shielded, 300m unshielded).
- Please use twisted pair cables for power wire and signal wire and conform to the impedance matching.
- If wiring is to be exposed to lightning or surges, use appropriate surge suppression devices.
- Keep AC, high energy, and rapidly switching DC power wiring separated from signal wires.
- Add a resistor and capacitor in the parallel connection between the ungrounded DC power supply and the frame ground. This provides a path for static and high frequency dissipation. Typical values to use are 1M Ohm and 4700pF.

DANGER



Hardware Considerations

The system designer should be aware that devices in Controller systems could fail and thereby create an unsafe condition. Furthermore, electrical interference in an operator interface can lead to equipment start-up, which could result in property damage and/or physical injury to the operator. If you use any programmable control systems that require an operator, be aware that this potential safety hazard exists and take appropriate precautions. Although the specific design steps depend on your particular application, the following precautions generally apply to installation of solid-state programmable control devices, and conform to the guidelines for installation of Controllers recommended in NEMA ICS 3-304 Control Standards.



Programming Considerations

To conform with ICS Safety Recommendations, checks should be placed in the controller to ensure that all writable registers that control critical parts of plant or machinery have limit checks built into the program, with an out-of-limit safe shut down procedure to ensure safety of personnel.
GME6070P0_MT6070iP_Installation_130708

Limited Warranty

This product is limited warranted against defects in design and manufacture. The proven defective product will either be repaired or replaced, at Weintek's discretion. This warranty shall not cover any product which is

- Out of warranty period which is 1 year from the date of purchase.
- Damage caused by Force Majeure, accident, negligence, improper installation or misuse.
- Product has been repaired or taken apart by unauthorized technicians.
- Products whose identification markings have been removed or damaged.